



## Modular ice maker 900 kg - Scale system

Hotel	██
Restaurant	██
Fast food	██
Bar	██
Disco	██
Fish market	██
Supermarket	██
Medical & SPA	██
Industry	██

### ► Position n°



### ► Features & Plus

- Sub-cooled scale ice 99% dry
- 1l (water) - 1kg (ice) - only Air cooled
- AISI 304 SS Scotch Brite finish
- Tropical class +43°C
- Specific volume 1 m<sup>3</sup> = 430 kg of ice
- Vertical fixed "no leak" evaporator
- AISI 304 SS evaporator
- Cleanable antiscaling filter
- FDA approved - ABS plastic components
- Easy cleanable internal rounded surfaces
- RoHS Free
- Automatic water charge
- Standard and special voltages



AISI 304 SS Scotch Brite finish



Vertical fixed "no leak" evaporator



Cleanable antiscaling filter

### ► Usable Bins

- Bin 550V DS
- Double Roller Bin 500
- Double Roller Bin 1200

**2 Years Warranty**  
subject to limitations

### ► Certifications available for this model



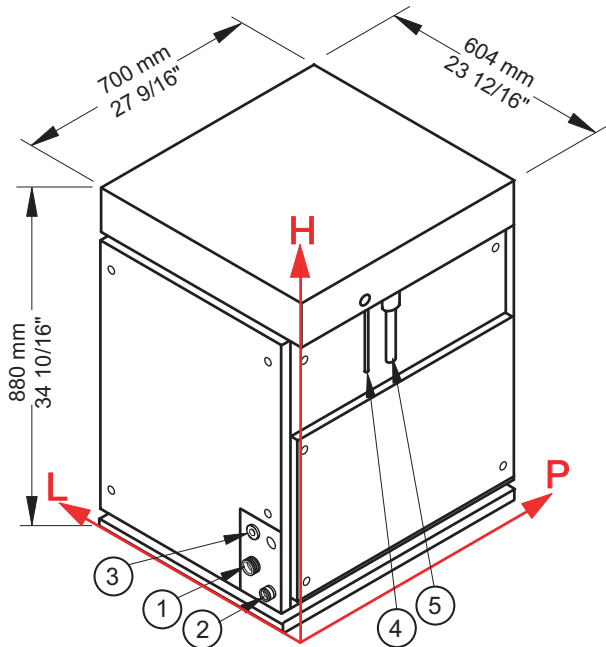


Ice Scales

# M 800 Split



## Modular ice maker 900 kg - Scale system



### ► Working conditions

- Location: **Indoor**

	Min	Max
Ambient temperature	+10° C / +50° F	+43° C / 110° F
Water temperature	+3° C / +37° F	+32° C / +90° F
Voltage	-10%	+10%
Water inlet pressure	1bar (14 psi)	6bar (84 psi)

### ► Connections

- ① Water inlet
- ② Water outlet
- ③ Electrical connection
- ④ Refrigerant feeding pipe
- ⑤ Outlet pipe of gaseous refrigerant

### ► Technical information

Production in 24h	900 kg / 1984 lbs
Refrigerant	R404A - R507
Refrigerant capacity	5000 W (evap. temp. -23° C)
Water consumption	1 l/kg - 12,0 gal/100 lbs
Standard voltage	220-240 V ~ 50 Hz
Electrical consumption	180 W
Finish	AISI 304 stainless steel, scotch brite

Sizes (L-P-H mm)	604 - 700 - 880
(L-P-H in)	23 12/16 - 27 9/16 - 34 10/16
Sizes with pack (L-P-H mm)	655 - 785 - 1055
(L-P-H in)	25 13/16 - 30 14/16 - 41 9/16
Net weight	138 kg / 304 lbs
Gross weight	153 kg / 337 lbs

All the technical information need to be considered at the following conditions:  
 Ambient temperature +21° C  
 Water temperature +15° C  
 Electrical consumption at +43° C (standard voltage)

Models and specifications are subject to change without notice

Rev. 01 - Issued January 2016



**BREMA ICE MAKERS SPA**

Via dell'Industria 10,  
20020 Villa Cortese (MI), Italy

tel. +39 0331 434811  
fax +39 0331 433833

[www.bremaice.it](http://www.bremaice.it)  
[info@bremaice.it](mailto:info@bremaice.it)



Bim + Data  
download

We are Brema

