



Undercounter ice maker up to 60 kg - Paddle system

Hotel	██████████
Restaurant	██████████
Fast food	██████████
Bar	██████████
Disco	██████████
Fish market	██████████
Supermarket	██████████
Medical & SPA	██████████
Industry	██████████

► Position n°



► Features & Plus

- Hollow cube
- AISI 304 SS Scotch Brite finish
- Tropical class +43°C
- Adjustable Stainless Steel feet
- Removable and cleanable air filter
- Air or water cooling system
- Easy cleanable internal rounded surfaces
- HCFC-Free insulated storage
- FDA approved -ABS water basin
- Basin tipping safety system
- RoHS Free
- Disappearing insulated door
- Electromechanical operation
- ON-OFF rocker switch
- Automatic water charge
- Standard and special voltages



AISI 304 SS Scotch Brite finish



Removable and cleanable air filter

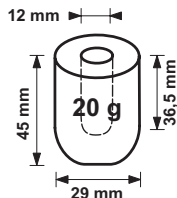


FDA approved - ABS water basin



Disappearing insulated door

► Available ice cube size



► Prod. 24h

Temp. °C	Air temp.		Water temp.		kg	lbs
	10° C	50° F	10° C	50° F		
	21° C	70° F	15° C	60° F		
					60	132
					50	110

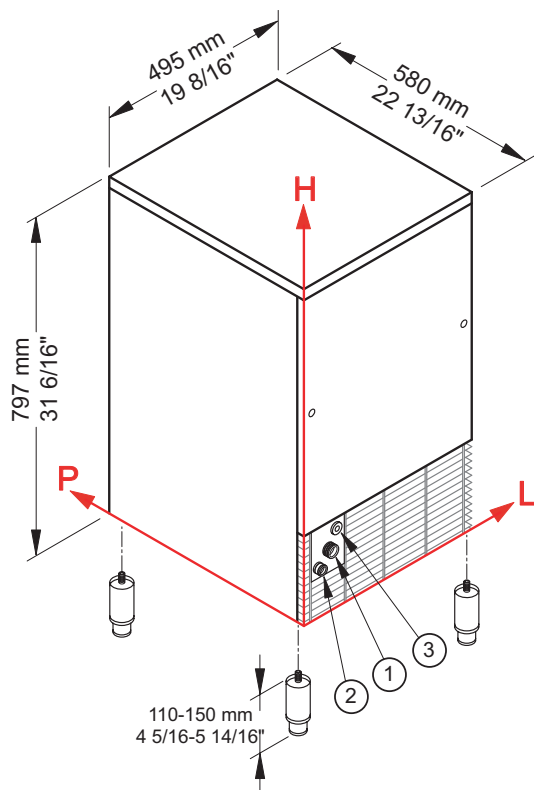
2 Years Warranty
subject to limitations

► Certifications available for this model





Ice Finger

IMF 58**Undercounter ice maker up to 60 kg - Paddle system****▶ Working conditions**

- Location: **Indoor**

	Min	Max
Ambient temperature	+10° C / +50° F	+43° C / 110° F
Water temperature	+3° C / +37° F	+32° C / +90° F
Voltage	-10%	+10%
Water inlet pressure	1bar (14 psi)	6bar (84 psi)

▶ Performances

	Water temperature	Water temperature					
		10° C	50° F	15° C	60° F	21° C	70° F
Air temperature	10° C	60 kg					
	50° F		132 lbs				
	21° C			50 kg			
	70° F				110 lbs		
	32° C					41 kg	
	90° F						90 lbs

▶ Connections

All measures are referred to the rear bottom-left corner (L-H-Ø)

- ① Water in.: 111 mm / 4 6/16" - 196 mm / 7 11/16" - 3/4" ② Water out.: 49 mm / 1 15/16" - 151 mm / 5 15/16" - 24 mm / 15/16"
 ③ Electrical connections: 156 mm / 6 2/16" - 232 mm / 9 2/16"

▶ Technical information

Production in 24h	50 kg / 110 lbs	Water consumption	A: 3,3 l/kg - 39,5 gal/100 lbs
Store capacity, up to	20 kg / 44 lbs		W: 10,5 l/kg - 125,8 gal/100 lbs
Cooling system	A - W	Sizes (L-P-H mm)	495 - 580 - 797
Kind of cube	A-20g	(L-P-H in)	19 8/16 - 22 13/16 - 31 6/16
Refrigerant	R404A	Sizes with pack (L-P-H mm)	550 - 630 - 990
Standard voltage	220-240 V ~ 50 Hz	(L-P-H in)	21 10/16 - 24 13/16 - 39
Electrical consumption	420 W	Net weight	54 kg / 119 lbs
Fuse	10 A	Gross weight	62 kg / 137 lbs
Finish	AISI 304 stainless steel, scotch brite		

All the technical information must be considered at the following conditions:

Sizes without feet
 Standard Cube (20 g)
 Ambient temperature +21° C
 Water temperature +15° C
 Electrical consumption at +43° C (standard voltage)

Models and specifications are subject to change without notice

Rev. 01 - Issued January 2016

**BREMA ICE MAKERS SPA**Via dell'Industria 10,
20020 Villa Cortese (MI), Italytel. +39 0331 434811
fax +39 0331 433833www.bremaice.it
info@bremaice.itBim + Data
download

We are Brema

