



Undercounter ice maker up to 30 kg - Sprayer system

Hotel	██
Restaurant	██
Fast food	██
Bar	██
Disco	██
Fish market	██
Supermarket	██
Medical & SPA	██
Industry	██

► Position n°



► Features & Plus

- Compact and crystal cube
- AISI 304 SS Scotch Brite finish
- Tropical class +43°C
- Easy cleanable internal rounded surfaces
- HCFC-Free insulated storage
- RoHS Free
- Disappearing insulated door
- Electromechanical operation
- ON-OFF rocker switch
- Standard and special voltages
- Suitable for embedment

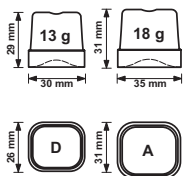


AISI 304 SS Scotch Brite finish



Disappearing insulated door

► Available ice cube size



► Prod. 24h

Air temp.	Air temp.		Water temp.		kg	lbs
	10° C	50° F	10° C	50° F		
	21° C	70° F	15° C	60° F		
					30	66
					26	57

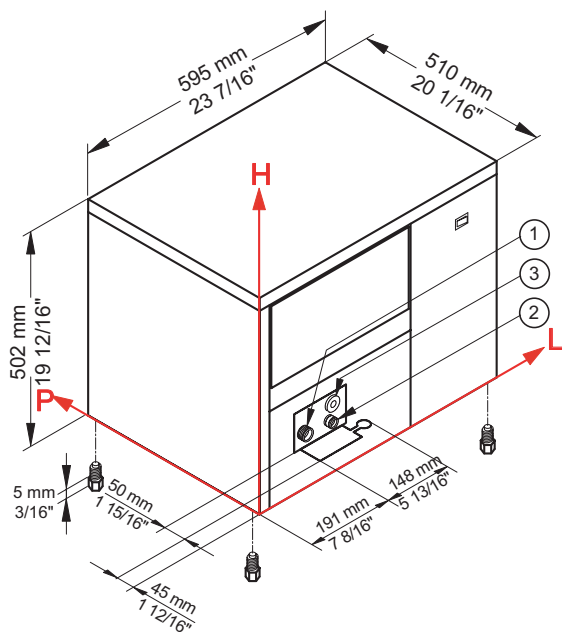
2 Years Warranty
subject to limitations

► Certifications available for this model





Ice Cube

IC 24**Undercounter ice maker up to 30 kg - Sprayer system****► Working conditions**

- Location: **Indoor**

	Min	Max
Ambient temperature	+10° C / +50° F	+43° C / 110° F
Water temperature	+3° C / +37° F	+32° C / +90° F
Voltage	-10%	+10%
Water inlet pressure	1bar (14 psi)	6bar (84 psi)

► Performances

	Water temperature						
		10° C	50° F	15° C	60° F	21° C	70° F
Air temperature	10° C	30 kg					
	50° F		66 lbs				
	21° C			26 kg			
	70° F				57 lbs		
	32° C					22 kg	
	90° F						49 lbs

► Connections

All measures are referred to the rear bottom-left corner

① Water in.: 3/4" Ø

② Water out.: 24 mm / 15/16" Ø

③ Electrical connections

► Technical information

Production in 24h	26 kg / 57 lbs	Water consumption	A: 5,1 l/kg - 61,1 gal/100 lbs
Store capacity, up to	6 kg / 13 lbs	Sizes (L-P-H mm)	595 - 510 - 502
Cooling system	A	(L-P-H in)	23 7/16 - 20 1/16 - 19 12/16
Kind of cube	A-18g, D-13g	Sizes with pack (L-P-H mm)	635 - 555 - 675
Refrigerant	R404A	(L-P-H in)	25 - 21 14/16 - 26 9/16
Standard voltage	220-240 V ~ 50 Hz	Net weight	41 kg / 90 lbs
Electrical consumption	350 W	Gross weight	48 kg / 106 lbs
Fuse	10 A	Finish	AISI 304 stainless steel, scotch brite

All the technical information must be considered at the following conditions:

Sizes without feet

Standard Cube (18 g)

Ambient temperature +21° C

Water temperature +15° C

Electrical consumption at +43° C (standard voltage)

Models and specifications are subject to change without notice

Rev. 01 - Issued January 2016

**BREMA ICE MAKERS SPA**Via dell'Industria 10,
20020 Villa Cortese (MI), Italytel. +39 0331 434811
fax +39 0331 433833www.bremaice.it
info@bremaice.itBim + Data
download

We are Brema

