



## Undercounter ice maker - Granular system

Hotel	██████████
Restaurant	██████████
Fast food	██████████
Bar	██████████
Disco	██████████
Fish market	██████████
Supermarket	██████████
Medical & SPA	██████████
Industry	██████████

### ► Position n°

### ► Features & Plus

- Granular ice - 80-82% dry
- 1l (water) - 1kg (ice)
- AISI 304 SS Scotch Brite finish
- Tropical class +43°C
- Adjustable Stainless Steel feet
- Removable and cleanable air filter
- AISI 304 SS evaporator
- Air cooling system
- Easy cleanable internal rounded surfaces
- HCFC-Free insulated storage
- Dust-proof water basin
- RoHS Free
- Disappearing insulated door
- Electromechanical operation
- ON-OFF rocker switch
- Automatic water charge



AISI 304 SS Scotch Brite finish



Removable and cleanable air filter



AISI 304 SS evaporator



Dust-proof water basin



Disappearing insulated door

## 2 Years Warranty

subject to limitations

### ► Prod. 24h

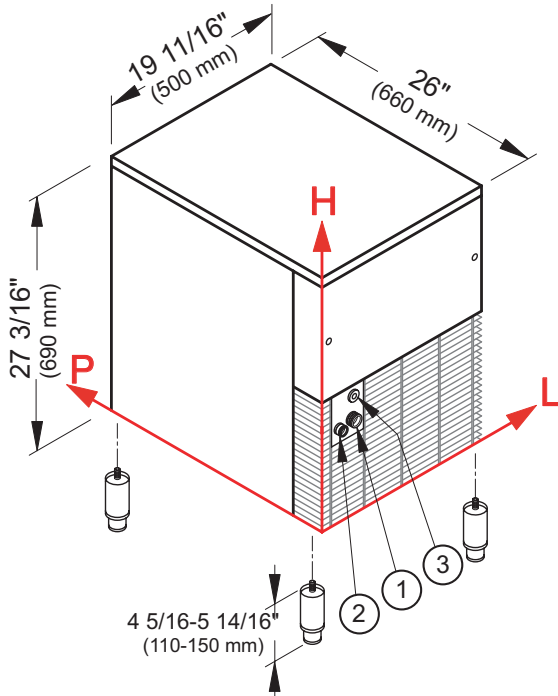
	Air temp.	Water temp.	lbs
50° F	50° F	229	
70° F	60° F	209	
90° F	70° F	187	

### ► Certifications available for this model





Ice Flakes

**GB 902****Undercounter ice maker - Granular system****► Working conditions**

- Location: **Indoor**

	Min	Max
Ambient temperature	+50° F	+110° F
Water temperature	+37° F	+90° F
Voltage	-10%	+10%
Water inlet pressure	1bar (14 psi)	6bar (84 psi)

**► Connections**

All measures are referred to the rear bottom-left corner (L-H-Ø)

- ① Water in.: 3 14/16" - 6 4/16" - 3/4"
- ② Water out.: 1 14/16" - 5 15/16" - 15/16"
- ③ Electrical connections: 3 7/16" - 9 1/16"

**► Technical information**

Production in 24h *	187 lbs	Water consumption **	12 gal/100 lbs
Store capacity, up to	44 lbs	Sizes (L-P-H in)	19 11/16 - 26 - 27 3/16
Cooling system	A	Sizes with pack (L-P-H in)	21 10/16 - 28 6/16 - 34 10/16
Refrigerant	R404A	Net weight	130 lbs
Standard voltage	115 V ~ 60Hz	Gross weight	148 lbs
Electrical consumption ***	550 W	Finish	AISI 304 stainless steel, scotch brite
Fuse	15 A		

All the technical information must be considered at the following conditions:

Sizes without feet

\* Production at Ambient temperature **+90° F** / Water temperature **+70° F**

\*\* Water consumption at Ambient temperature **+70° F** / Water temperature **+60° F**

\*\*\* Electrical consumption at ambient temperature **+109° F**

Models and specifications are subject to change without notice

Rev. 01 - Issued January 2016

**BREMA ICE MAKERS SPA**Via dell'Industria 10,  
20020 Villa Cortese (MI), Italytel. +39 0331 434811  
fax +39 0331 433833[www.bremaice.it](http://www.bremaice.it)  
[info@bremaice.it](mailto:info@bremaice.it)Bim + Data  
download

Installation



We are Brema

