



## Undercounter ice maker - Granular system

Hotel	█	█	█	█	█	█	█	█	█	█	█	█	█	█
Restaurant	█	█	█	█	█	█	█	█	█	█	█	█	█	█
Fast food	█	█	█	█	█	█	█	█	█	█	█	█	█	█
Bar	█	█	█	█	█	█	█	█	█	█	█	█	█	█
Disco	█	█	█	█	█	█	█	█	█	█	█	█	█	█
Fish market	█	█	█	█	█	█	█	█	█	█	█	█	█	█
Supermarket	█	█	█	█	█	█	█	█	█	█	█	█	█	█
Medical & SPA	█	█	█	█	█	█	█	█	█	█	█	█	█	█
Industry	█	█	█	█	█	█	█	█	█	█	█	█	█	█

► Position n°



### ► Features & Plus

- Granular ice - 80-82% dry
- 1l (water) - 1kg (ice)
- AISI 304 SS Scotch Brite finish
- Tropical class +43°C
- Adjustable Stainless Steel feet
- Removable and cleanable air filter
- AISI 304 SS evaporator
- Air cooling system
- Easy cleanable internal rounded surfaces
- HCFC-Free insulated storage
- Dust-proof water basin
- RoHS Free
- Disappearing insulated door
- Electromechanical operation
- ON-OFF rocker switch
- Automatic water charge



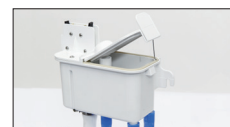
AISI 304 SS Scotch Brite finish



Removable and cleanable air filter



AISI 304 SS evaporator



Dust-proof water basin



Disappearing insulated door

**2 Years Warranty**  
subject to limitations

### ► Prod. 24h

	Air temp.	Water temp.	lbs
	50° F	50° F	384
	70° F	60° F	331
	90° F	70° F	299

### ► Certifications available for this model



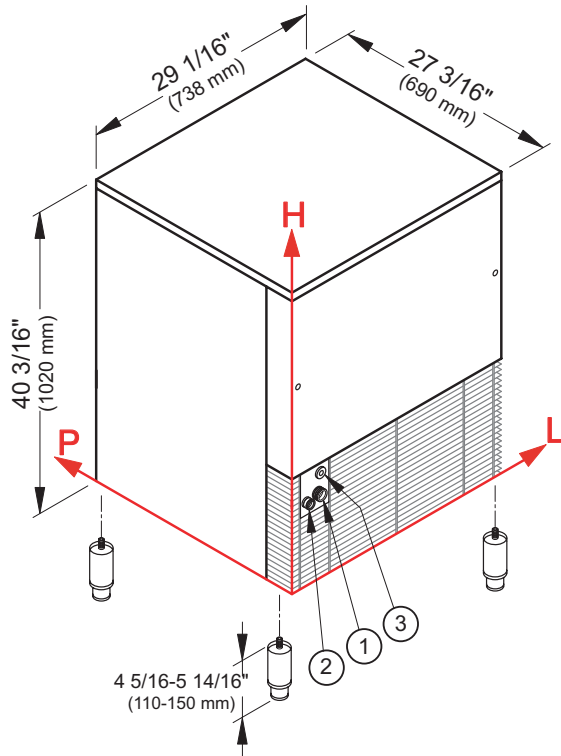


Ice Flakes

# GB 1555



## Undercounter ice maker - Granular system



### ► Working conditions

- Location: **Indoor**

	Min	Max
Ambient temperature	+50° F	+110° F
Water temperature	+37° F	+90° F
Voltage	-10%	+10%
Water inlet pressure	1bar (14 psi)	6bar (84 psi)

### ► Connections

All measures are referred to the rear bottom-left corner (L-H-Ø)

- ① Water in.: 4 2/16 " - 9 12/16 " - 3/4 "
- ② Water out.: 2 1/16 " - 9 7/16 " - 15/16 "
- ③ Electrical connections: 3 10/16 " - 12 9/16 "

### ► Technical information

Production in 24h *	299 lbs
Store capacity, up to	121 lbs
Cooling system	A
Refrigerant	R404A
Standard voltage	115 V ~ 60Hz
Electrical consumption ***	650 W
Fuse	15 A

Water consumption **	12 gal/100 lbs
Sizes (L-P-H in)	29 1/16 - 27 3/16 - 40 3/16
Sizes with pack (L-P-H in)	30 11/16 - 28 15/16 - 46 10/16
Net weight	207 lbs
Gross weight	231 lbs
Finish	AISI 304 stainless steel, scotch brite

All the technical information must be considered at the following conditions:

Sizes without feet

\* Production at Ambient temperature **+90° F** / Water temperature **+70° F**

\*\* Water consumption at Ambient temperature **+70° F** / Water temperature **+60° F**

\*\*\* Electrical consumption at ambient temperature **+109° F**

Models and specifications are subject to change without notice

Rev. 01 - Issued January 2016



**BREMA ICE MAKERS SPA**

Via dell'Industria 10,  
20020 Villa Cortese (MI), Italy

tel. +39 0331 434811  
fax +39 0331 433833

[www.bremaice.it](http://www.bremaice.it)  
[info@bremaice.it](mailto:info@bremaice.it)

Bim + Data  
download



Installation



We are Brema

