



CB 674

LIST OF THE EXPLODED VIEWS



SHELL ASSY CB 674A / CB 674W

SHELL ASSY CB 674A DP

COOLING SYSTEM

HYDRAULIC CIRCUIT CB 674A / CB 674W

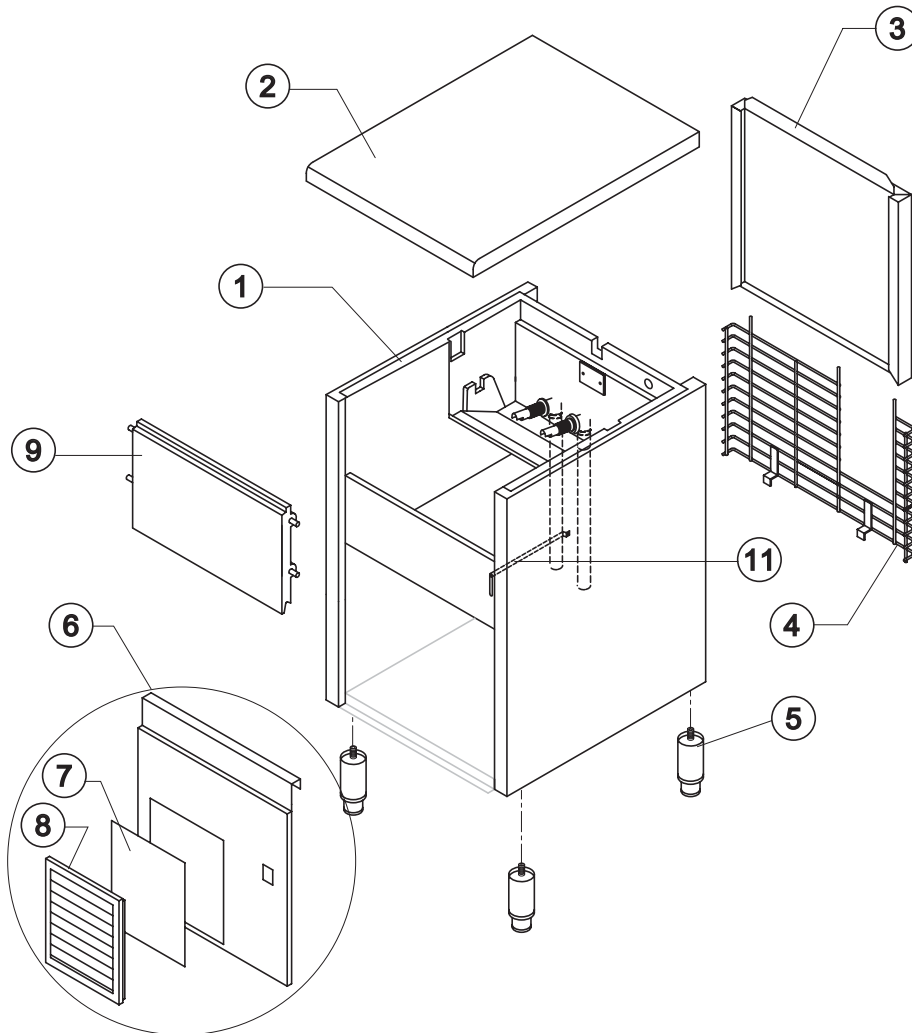
HYDRAULIC CIRCUIT CB 674A DP

ELECTRIC PARTS



CB 674

SHELL ASSY CB 674A / CB 674W



Ref.	Spare Description	Code
1	Foamed Cabinet Assy	See Table
2	Top Assembly	C22673
3	Rear Panel Assembly	C21184
4	Rear Grid	D12083
5	Adjustable Stainless Steel Foot	20613
6	Front Grid Panel	C221130
7*	Filtering Panel	18106
8	Frame + Grid & Filter	C10205
9	Door Assy	C10275
11	Bulb-holder Pipe	20521

Ref. 1 - Foamed Cabinet Assy

Condensation	Code
Air	RC11157A
Water	RC11157W

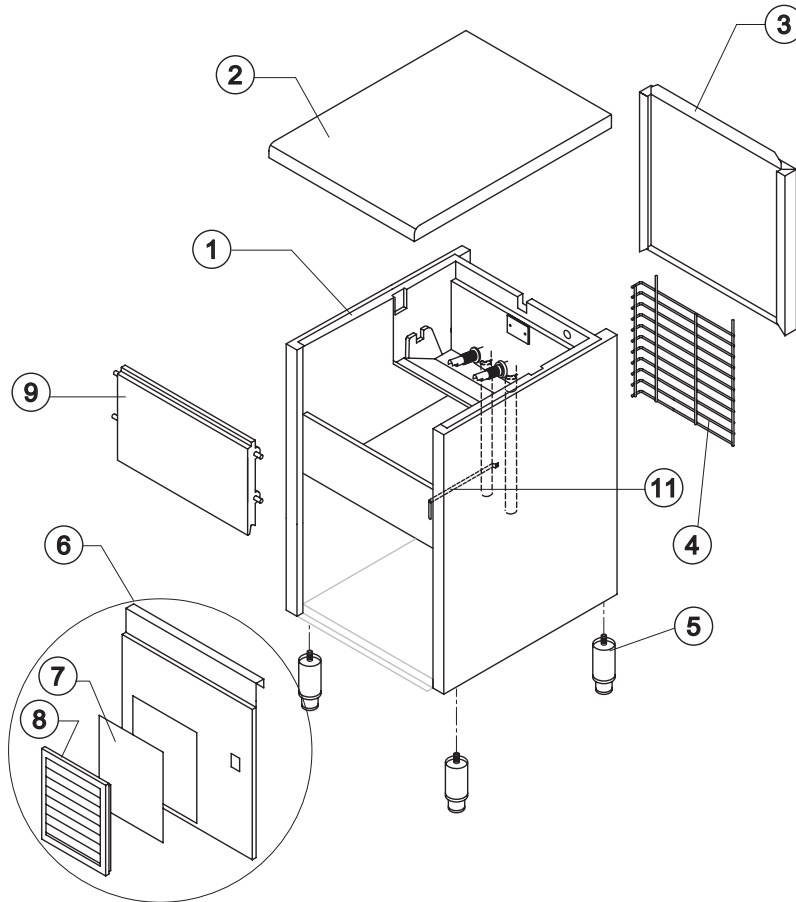
Rev. 5 - 12/03/2019



CB 674

SHELL ASSY

CB 674A DP



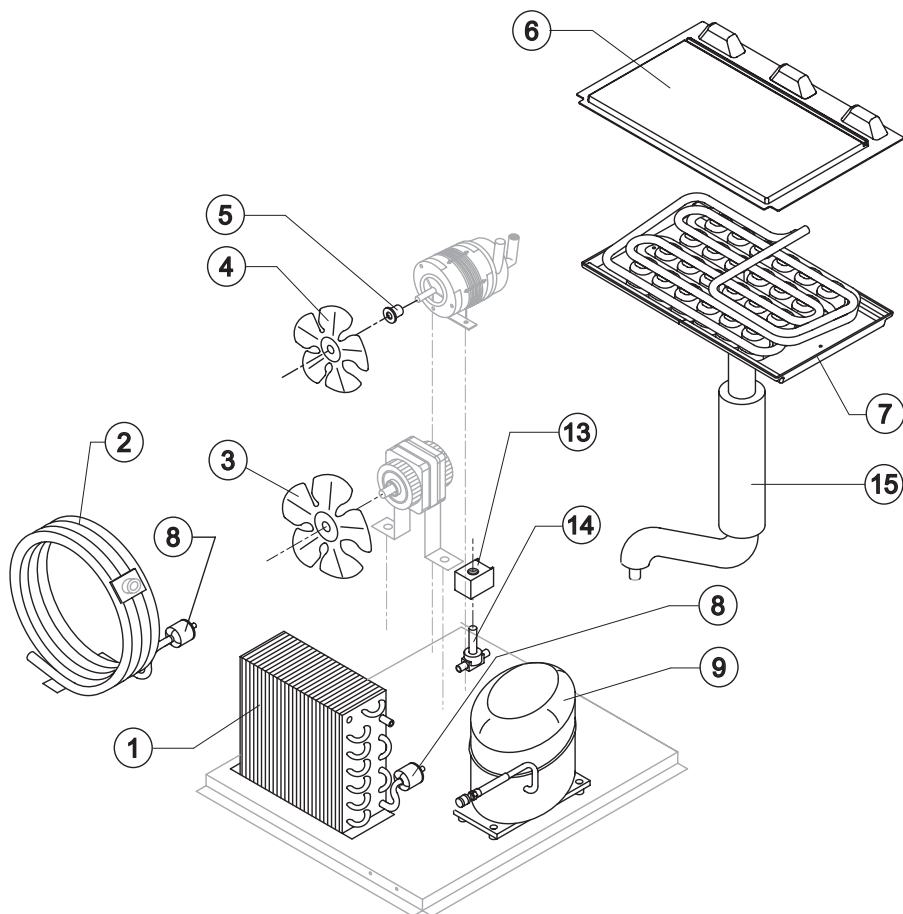
Ref.	Spare Description	Code
1	Foamed Cabinet Assy	C11157DP
2	Top Assembly	C22673
3	Rear Panel Assembly	C21184
4	Rear Grid	D12133
5	Adjustable Stainless Steel Foot	20613
6	Front Grid Panel	C221130
7*	Filtering Panel	18106
8	Frame + Grid & Filter	C10205
9	Door Assy	C10275
11	Bulb-holder Pipe	20521



CB 674

COOLING SYSTEM

CB 674A / CB 674W / CB 674A DP



Common Parts

Ref.	Spare Description	Code
4	Sucking Fan	10213
5	Fan Fixing Hub	10014
6	Evaporator Cover Panel	10448
7	Evaporator	See Table
8*	Solid Core Drier	14089
9	Compressor	See Table
13*	Hot Gas Valve Coil	231294
14*	Hot Gas Valve Body	20410
15	Suctin Line	for the spare parts code give us the s/n.

Parts for Air Cooled Version Only

Ref.	Spare Description	Code
1	Air Condenser	20558
3	Sucking Fan	20962

Parts for Water Cooled Version Only

Ref.	Spare Description	Code
2	Water Condenser	14374

Ref. 7 - Evaporator

Kind of Cube	Code
18 g. (Standard)	D10047
33 g.	D10090
13 g.	D10418
42 g.	D10480

Ref. 9 - Compressor

Voltage	Code
220-240V ~ 50Hz	231202
220-230V ~ 60Hz	231308

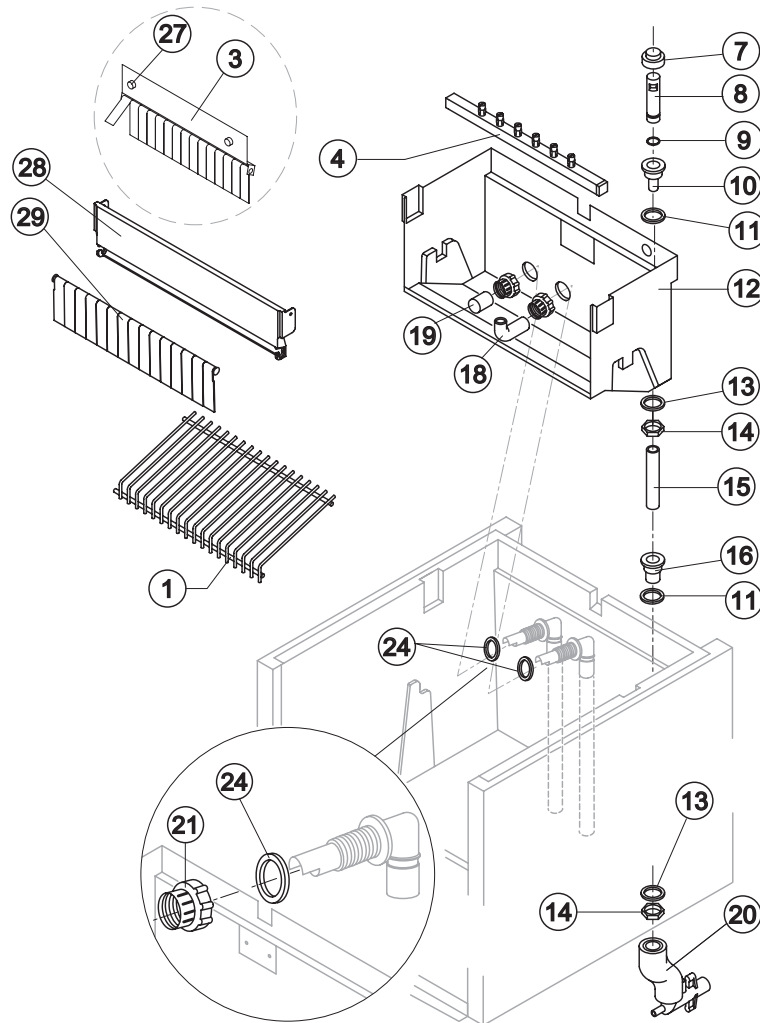
Rev. 5 - 12/03/2019



CB 674

HYDRAULIC CIRCUIT

CB 640A / CB 640W



Common Parts

Ref.	Spare Description	Code
1	Ice Cubes Slide	See Table
3	Flags Support Assy	Till s/n. 815872 C22059
4*	Sprayers Bar Assembly	See Table
7*	Overflow Cap	10305
8*	Overflow Pipe	10133
9*	OR Gasket for Overflow Pipe	20233
10	Overflow Pipe Nipple	10471
11	Gasket	13219
12	Inner Basin	10034
13	Semirigid Polyethylene Gasket	13007
14	Bin Discharge Nut	10096
15*	Overflow Pipe	13109
16	Water Outlet Nipple	10472
18	Sprayers Feeding Pipe	13005
19*	Pump Suction Filter	20005
21	Fittings Locking Ring	10405
24	Gasket for Pump Suction/Delivery Pipes	13220
27	Fixing Screw	Till s/n. 815872 20009
28	Flags ABS Support	Current Version 10760
29	Rod with Flags	Current Version 10775

Parts for Air Cooled Version Only

Ref.	Spare Description	Code
20	Discharges Manifold	C10006

Parts for Water Cooled Version Only

Ref.	Spare Description	Code
20	Discharges Manifold	C26452

Ref. 1 - Ice Cube Slide

Kind of Cube	Code
18 g. (Standard)	D12017
33 g.	D12031
13 g.	D12039
42 g.	D12071

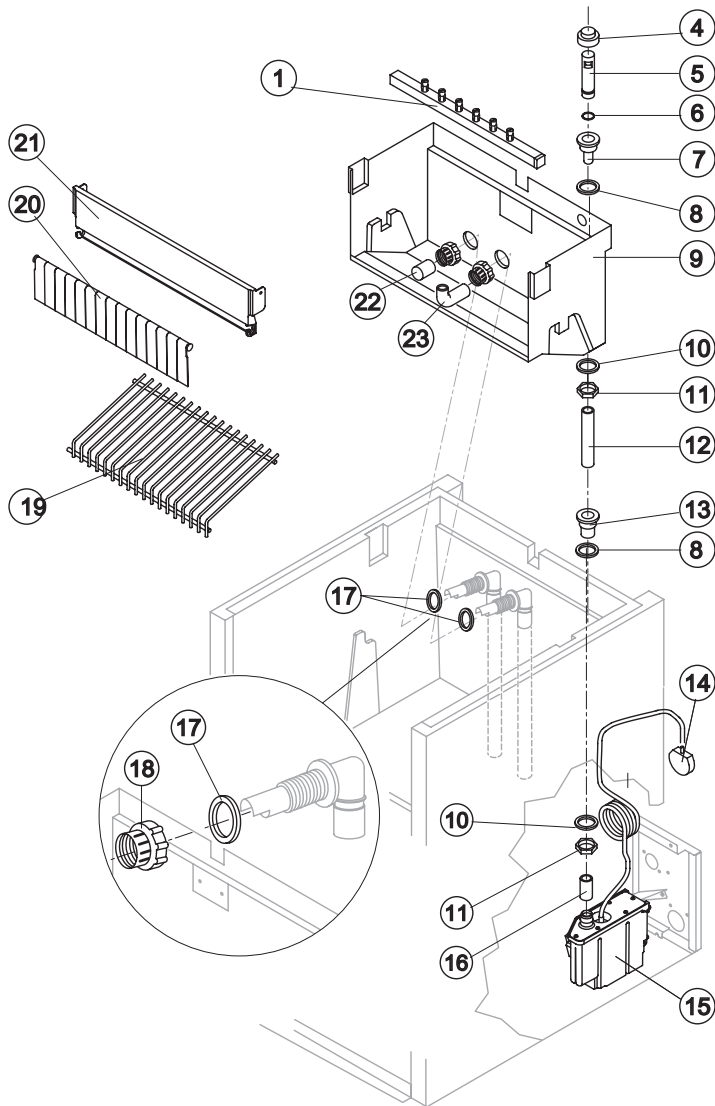
Ref. 4* - Sprayers Bar Ass.

Kind of Cube	Code
18 g. (Standard)	C20058
33 g.	C20156
13 g.	C20190
42 g.	C20802



CB 674

HYDRAULIC CIRCUIT CB 640A DP



Ref.	Spare Description	Code
1*	Sprayers Bar Assembly	See Table
4*	Overflow Cap	10305
5*	Overflow Pipe	10133
6*	OR Gasket for Overflow Pipe	20233
7	Overflow Pipe Nipple	10471
8	Gasket	13219
9	Inner Basin	10034
10	Semirigid Polyethylene Gasket	13007
11	Bin Discharge Nut	10096
12*	Overflow Pipe	13109
13	Water Outlet Nipple	10472
14	Drain Pump Pressure Switch	C231230
15	Drain Pump	RC231225
16	Bin Discharge-Drain Pump Connection	C13175130
17	Gasket for Pump Suction/Delivery Pipes	13220
18	Fittings Locking Ring	10405
19	Ice Cubes Slide	See Table
20	Rod with Flags	10775
21	Flags ABS Support	10760
22*	Pump Suction Filter	20005
23	Sprayers Feeding Pipe	13005

Ref. 1 - Ice Cube Slide

Kind of Cube	Code
18 g. (Standard)	D12017
13 g.	D12039

Ref. 4* - Sprayers Bar Ass.

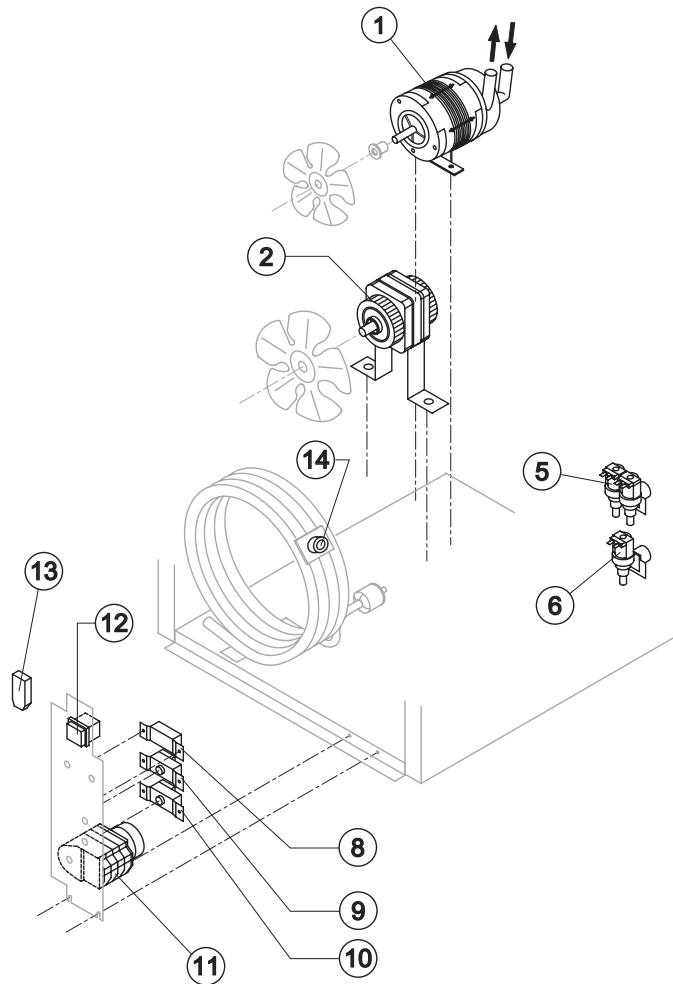
Kind of Cube	Code
18 g. (Standard)	C20058
13 g.	C20190



CB 674

ELECTRIC PARTS

CB 674A / CB 674W / CB 674A DP



Common Parts

Ref.	Spare Description	Code
1*	Pump Assy	RC23377
8*	Condenser Pressure Switch	23175
9*	Bin Thermostat	R23005
10*	Evaporator Thermostat	R23591
11*	Timer	See Table
12*	Green Light Switch (On-Off)	23327

Parts for Air Cooled Version Only

Ref.	Spare Description	Code
2*	Fan Motor	23067
6*	1 Way- Water Inlet Valve	See Table
13	Anti Radio Interference Filter	C23459

Parts for Water Cooled Version Only

Ref.	Spare Description	Code
5*	2 Ways- Water Inlet Valve	See Table
13	Anti Radio Interference Filter	C23457
14*	Safety Thermostat	C23114

Rev. 5 - 12/03/2019

Ref. 5* - 2 Ways- Water inlet valve

Voltage	Cube 18g/13g	Cube 33g	Cube 42g
220-240V ~ 50Hz	23010	23010	23781
220-230V ~ 60Hz	23010	23781	23781

Ref. 6* - 1 Way - Water Inlet valve

Voltage	Cube 18g/13g	Cube 33g	Cube 42g
220-240V ~ 50Hz	23001	23001	23220
220-230V ~ 60Hz	23001	23220	23220

Ref. 11* - Timer

Voltage	18g Cube	33g Cube	13g Cube	42g Cube
220-240V ~ 50Hz	23222	23248	23247	23780
220-230V ~ 60Hz	231078	231080	231077	231080